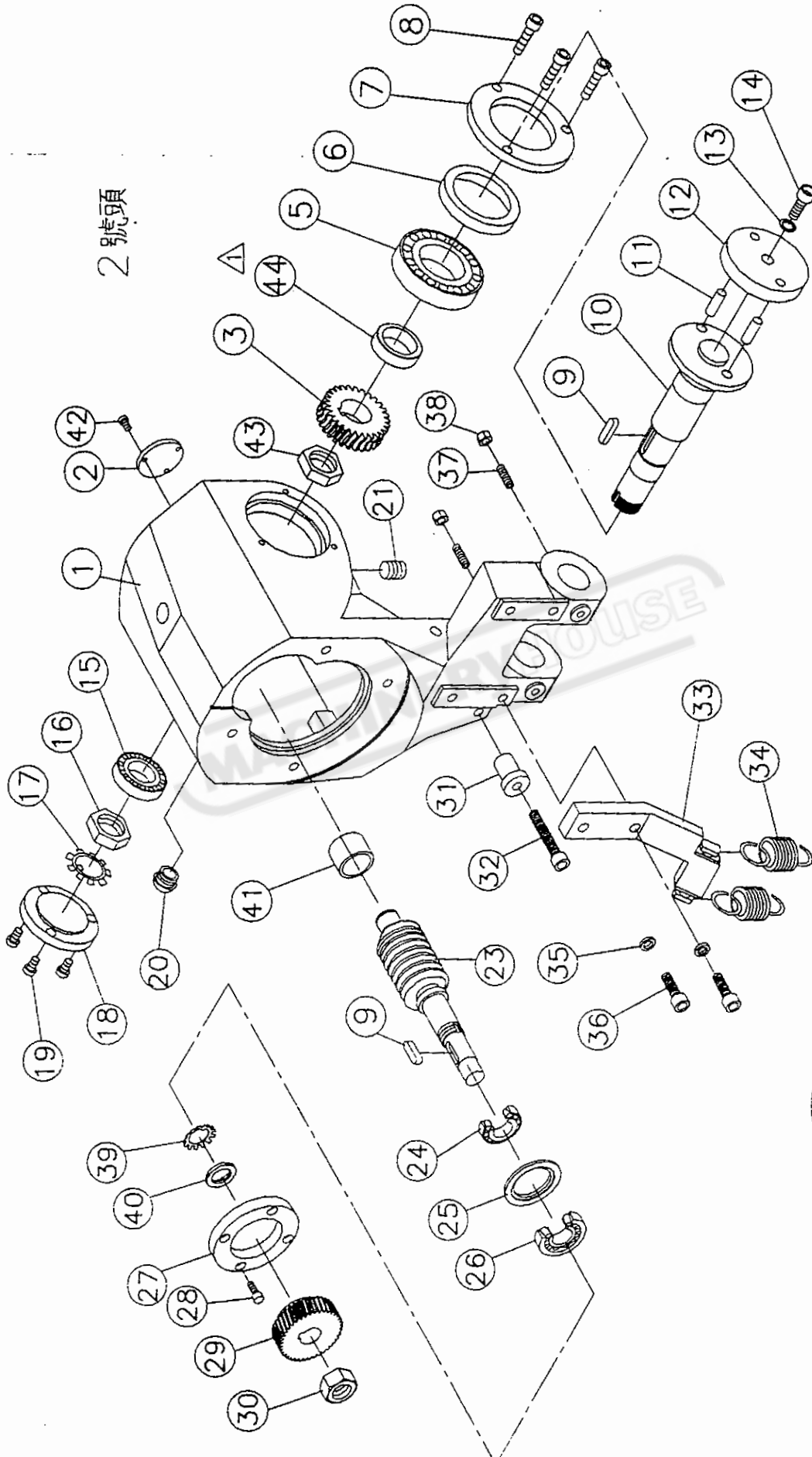


Chapter 8 Parts Lists And Drawings

No.01	Head And Spindle Shaft Assembly	15
No.02	Motor Assembly	17
No.03	Feed Handle Assembly	19
No.04	Rotary Support Assembly	21
No.05	Vise Assembly	23
No.06	Table Assembly	25
No.07	Safety Guard Assembly	27
No.08	Main Base Assembly	29
No.09	Small Base Assembly	31
No.10	Electric Circuit	33

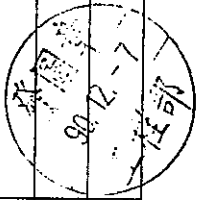
2號頭



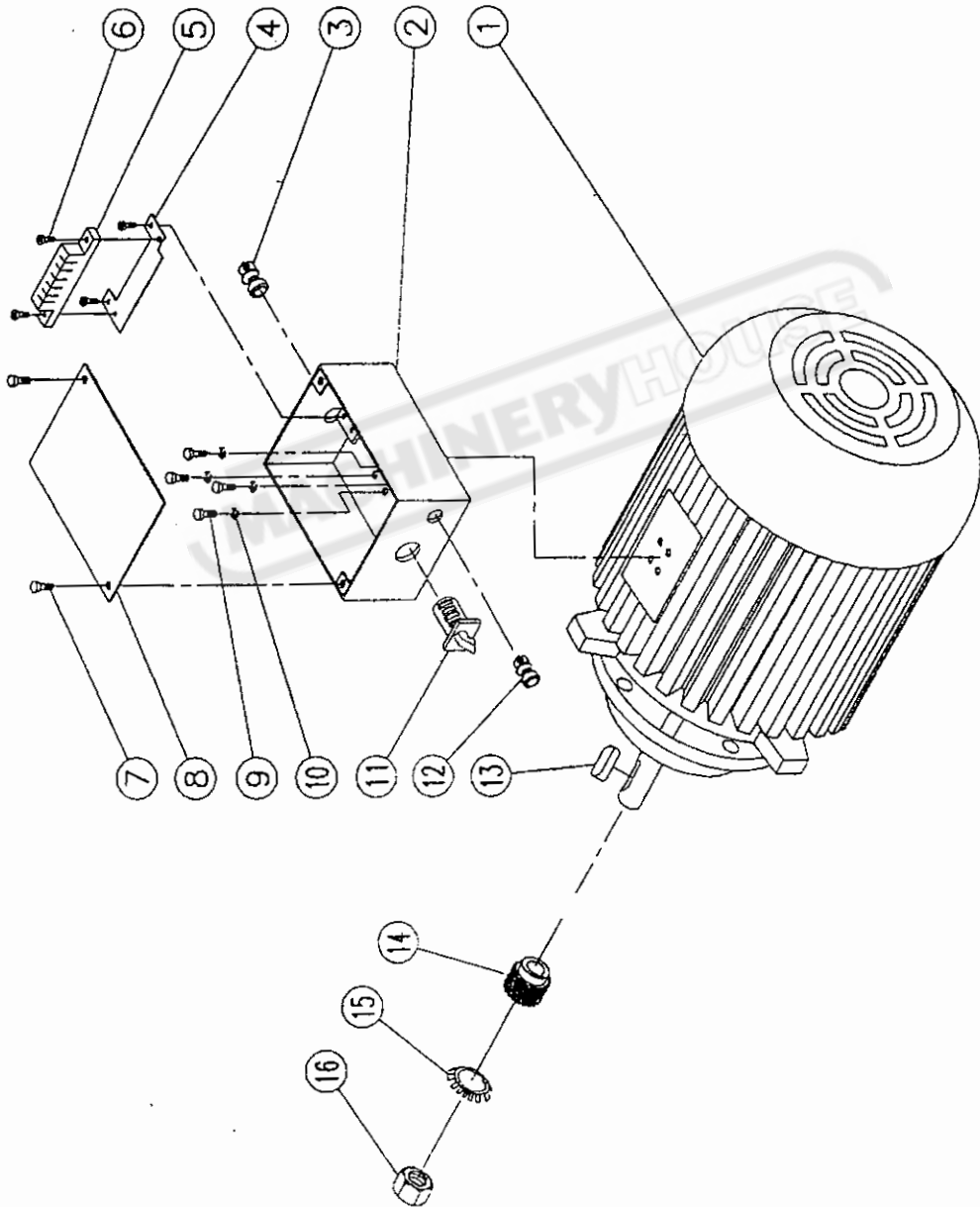
APPROVED WPS 90.12.6	CHECKED 潘俊宏	DRAWN 潘俊宏	No. I1EX0101 = +	Title Head And Spindle Shaft Assembly	
				Scale 1:7	Page 6
				Edit	Index
				5	6

90.12.1
12.12.14

NO.	PART NO.	MAT.NO.	DESCRIPTION	QT.	SPECIFICATION	NO.	PART NO.	MAT.NO.	DESCRIPTION	QT.	SPECIFICATION
1	13A011		HEAD STOCK	1	FC25	25	M3C004		SPACER	1	SS41
2	13A010		COVER	1	SS41	26	M3C007		THRUST BEARING	1	E30305J
3	13C010		WORM WHEEL	1	ALBC3	27	M3C005		COVER	1	SS41
4				1	SS41	28	F06D016		SCREW	4	M6XP1.0X16
5	VG0023		BEARING	1	E30309J	29	M3C011		HELICAL GEAR	1	S45C
6	ZQ0065		OIL SEAL	1	55X72X9 TC	30	M0C034		CHECK NUT	1	S45C
7	13A014		BEARING COVER	1	S45C	31	13A004		ADJUSTABLE NUT	1	SS41
8	F06D016		SCREW	3	M6XP1.0X16	32	F10F060		SCREW	1	M10XP1.0X60
9	ZV0029		KEY	1	8X7X28	33	13A006		ARM	1	SS41
10	13C01204		SPINDLE SHAFT	1	SCM21	34	13A008		SPRING	1	SUP6
11	H0C012		PIN	2	D10XL28	35	R10		SPRING WASHER	1	M10
12	H0C001		BLADE COVER	1	S45C	36	F10F025		SCREW	2	M10XP1.5X25
13	Q10		FLAT WASHER	1	M10	37	G08E025		SCREW	2	M8XP1.25X25
14	F10G035		SCREW	1	M10XP1.5X35(左用)	38	M08E		HEX NUT	2	M8
15	VG0030		BEARING	1	E32207J	39	M3C009		OUTER TOOTH WASHER	1	AW05
16	H0C006		HEX NUT	1	M30XP1.5	40	M3C010		CHECK NUT	1	AN05
17	C155		OUTER TOOTH WASHER	1	M30	41	VF0018		NEEDLE BEARING	1	TLA 253226
18	13A013		COVER	1	SS41	42	F04B012		SCREW	3	M4-12
19	F06D016		SCREW	3	M6XP1.0X16	43	ZK0165		CHECK NUT	1	YSF M40XP1.5
20	IK0031		SIGHT GLASS	1	21mm	44	I3C01400		SPACER	1	SS41
21	ZE0010		DRAIN PLUG	1	PT3/8"XL12,PLUG	45					
22						46					
23	13C011		WORM SHAFT	1	SNCM220	47					
24	M3C008		THRUST BEARING	1	E30205J	48					



FOR HEAD NO.2

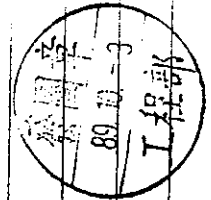


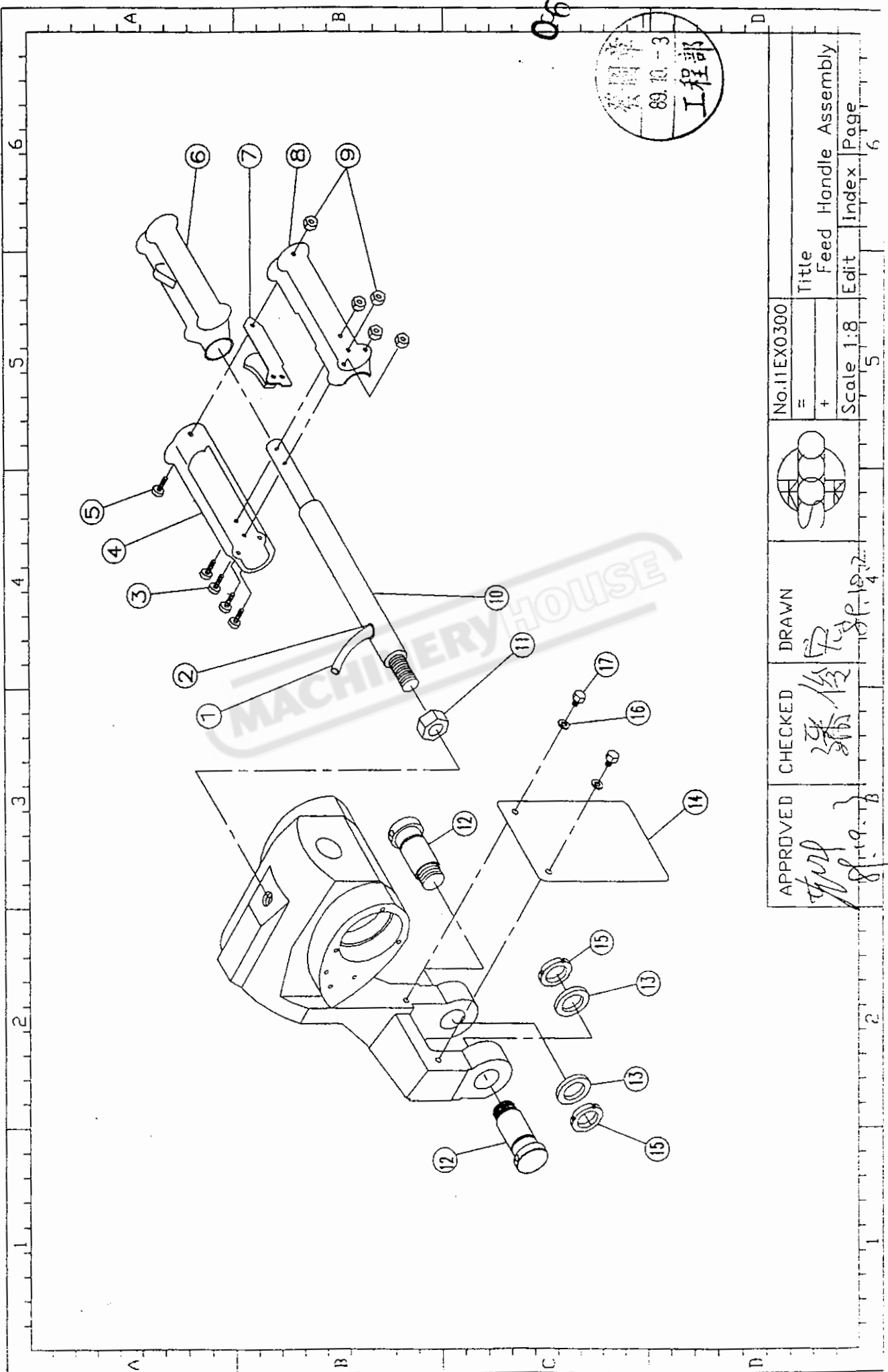
APPROVED	CHECKED	DRAWN	No. 11EX0200	Title
<i>[Signature]</i>	<i>[Signature]</i>	<i>[Signature]</i>	=	Motor Assembly
			+	
			Scale 1:11	Edit
			5	Index
				Page
				6

06
發圖章
89.10.-3
工程

NO.	PART NO.	MAT.NO.	DESCRIPTION	QT.	SPECIFICATION	NO.	PART NO.	MAT.NO.	DESCRIPTION	QT.	SPECIFICATION
1	I3B002		MOTOR ASSEMBLY	1	3/1.5HP 2/4 P	25					
2	H0G001		MOTOR ELECTRIC BOX	1	SS4I	26					
3	ZR0020		CLAMPER	1	7C	27					
4	H0G002		FIXING PLATE	1	SPCC	28					
5	XC0066		TERMINAL BOARD	1	6P20A	29					
6	B04B006		SCREW	4	M4xP0.7x6	30					
7	F06D025		SCREW	2	M6xP1.0x25	31					
8	H0G003		COVER	1	SS4I	32					
9	B06D020		SCREW	4	M6xP1.0x20	33					
10	R06		SPRING WASHER	4	M6	34					
11	WS0031		MULTI SPEED	1	SC6848(20A)	35					
12	ZR0019		CLAMPER	1	4C	36					
13	ZV0040		KEY	1	6x6x30	37					
14	I3C009		HELICAL GEAR	1	SNCM22	38					
15	B15		OUTER TOOTH WASHER	1	M20	39					
16	M20F		HEX NUT	1	M20XP1.5	40					
17						41					
18						42					
19						43					
20						44					
21						45					
22						46					
23						47					
24						48					

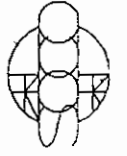
06





89.10. -3
 工程部

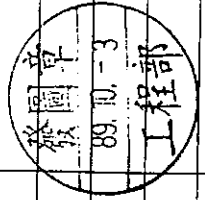
APPROVED	CHECKED	DRAWN	No.11EX0300	Title	Page
<i>[Signature]</i>	<i>[Signature]</i>	<i>[Signature]</i>	= +	Feed Handle Assembly	6
			Scale 1:8	Edit	Index
			5		6

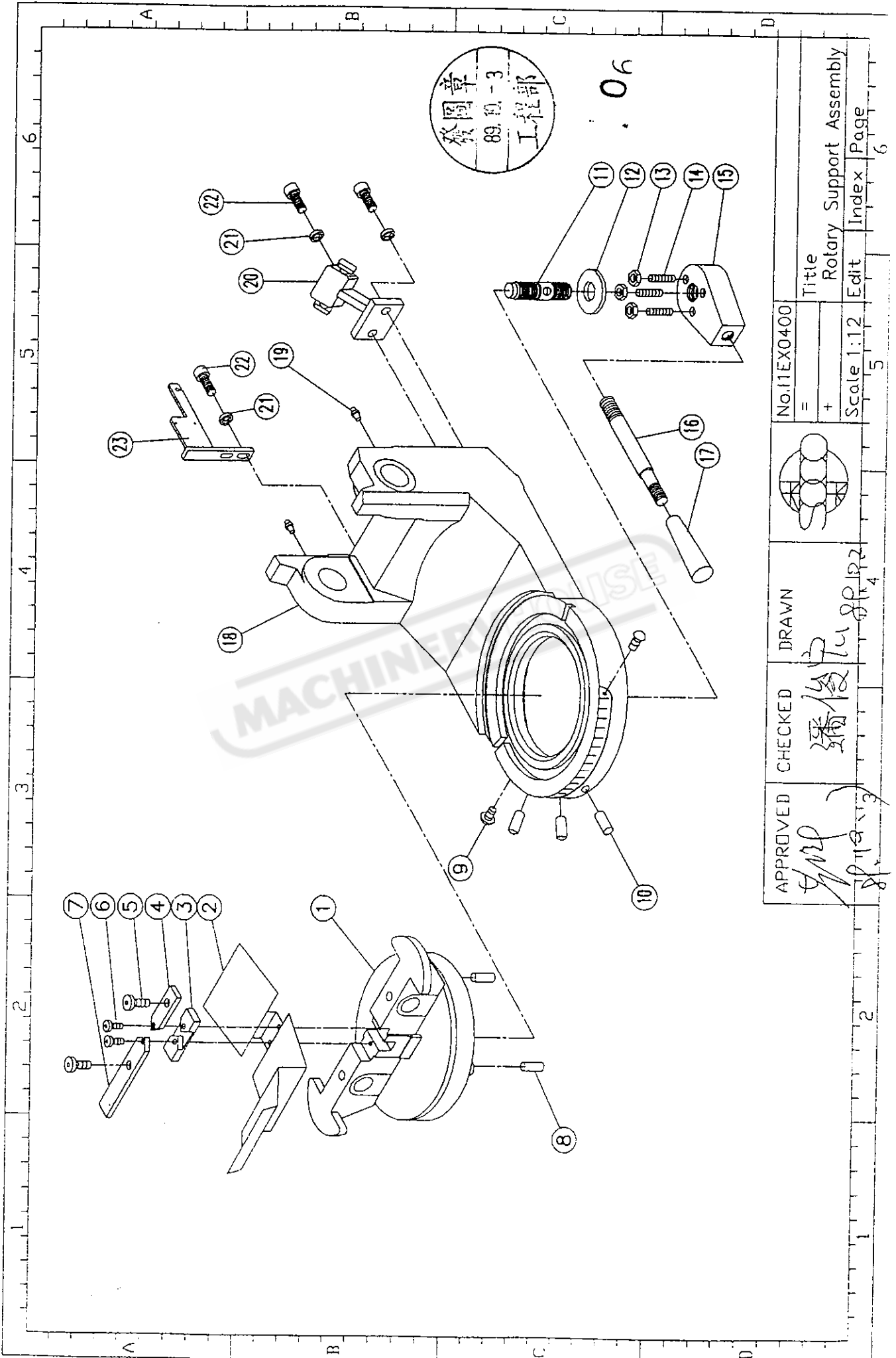


MACHINERYHOUSE

NO.	PART NO.	MAT.NO.	DESCRIPTION	QT.	SPECIFICATION	NO.	PART NO.	MAT.NO.	DESCRIPTION	QT.	SPECIFICATION
1	XA0061		CABLE	1	4CX0.75MM	25					
2	XE0010		RUBBER SLEEVE	1	SMALL	26					
3	B04B028		SCREW	4	M4XP0.7X28	27					
4	H0A003		FEED LEVER KNOB	1	PLASTIC(ABS)	28					
5	B04B028		SCREW	1	M4XP0.7X28	29					
6	H0A004		RUBBER SHIELD	1	RUBBER	30					
7	H0A028		ELECTRIC SWITCH	1	SS41	31					
8	H0A006		FEED LEVER KNOB	1	PLASTIC(ABS)	32					
9	M04C		HEX NUT	5	M4XP0.7	33					
10	H0A007		FEED LEVER	1	SS41	34					
11	M20K		HEX NUT	1	M20XP2.5	35					
12	I3A003		PIVOT SHAFT	2	S45C	36					
13	I3A005		JUNK RING	2	SS41	37					
14	I3A009		SPLASH SHIELD	1	PLASTIC	38					
15	M30F		CHECK NUT	2	M30XP1.5	39					
16	Q08		WASHER	2	M8	40					
17	C08E012		SCREW	1	M8XP1.25X12	41					
18						42					
19						43					
20						44					
21						45					
22						46					
23						47					
24						48					

06

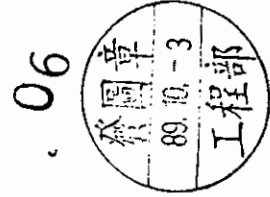
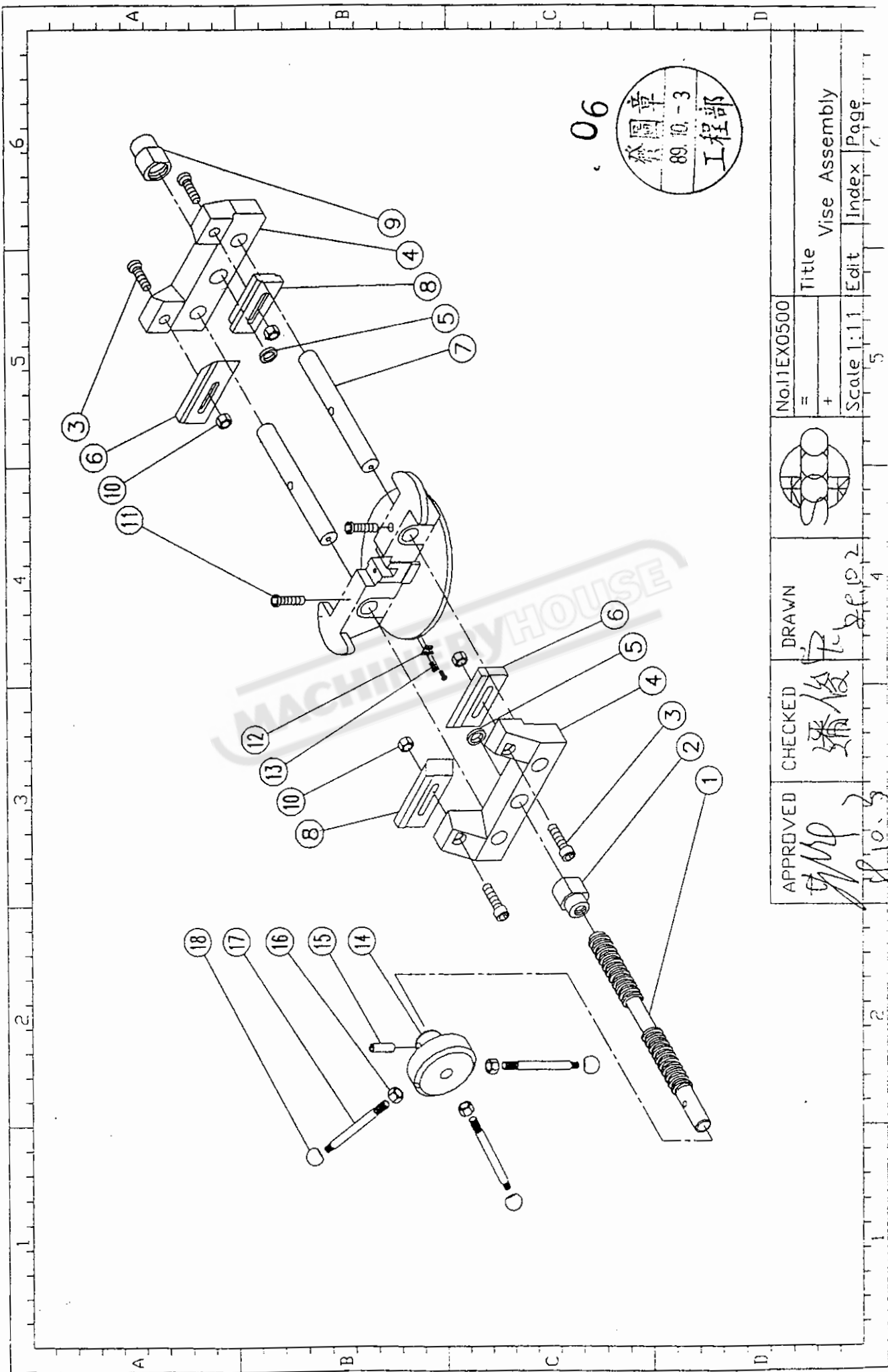




APPROVED	CHECKED	DRAWN	No. I1EX0400	Title
<i>[Signature]</i>	<i>[Signature]</i>	<i>[Signature]</i>	= +	Rotary Support Assembly
			Scale 1:12	Edit
			5	Index
				Page
				6

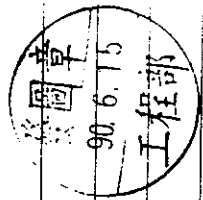
NO.	PART NO.	MAT. NO.	DESCRIPTION	QTY.	SPECIFICATION	NO.	PART NO.	MAT. NO.	DESCRIPTION	QTY.	SPECIFICATION
1	13D00101		VISE BODY	1	F25	25					
2	H5D00200		BOTTOM SHIELD	1	SPCC	26					
3	H0D003		PRESS BLOCK	1	F25	27					
4	H5D00400		PACKING-UP	1	S45C	28					06
5	F08E035		SCREW	2	M8XP1.25X35	29					
6	F06D030		SCREW	2	M6XP1.0X30	30					
7	H5D00500		PACKING-UP	1	S45C	31					
8	H0C012		PIN	2	D10X1.28	32					
9	A06D030		RIVET	2	M6xP1.0x30	33					
10	H0C012		PACKING-UP	1	S45C	34					
11	H5D00600		FIXING SCREW	1	S45C	35					
12	H0D007		SPACER	1	SS41	36					
13	M08E		HEX NUT	3	M8XP1.25	37					
14	G08E040		SCREW	3	M8XP1.25X40	38					
15	H0D008		LOCKING BLOCK	1	F20	39					
16	H0A014		FIXING LEVER	1	SS41	40					
17	H0A029		KNOB	1	PLASTIC	41					
18	F3A00204		ROTARY SUPPORT	1	F25	42					
19	ZK0293		GREASE NIPPLE	2	PT1/8"	43					
20	13A007		ARM	1	SS41	44					
21	R10		SPRING WASHER	2	M10	45					
22	F10F025		SCREW	2	M10XP1.5X25	46					
23	13F013		BRACKET	1	SS41	47					
24						48					

91.6.6
I 程部

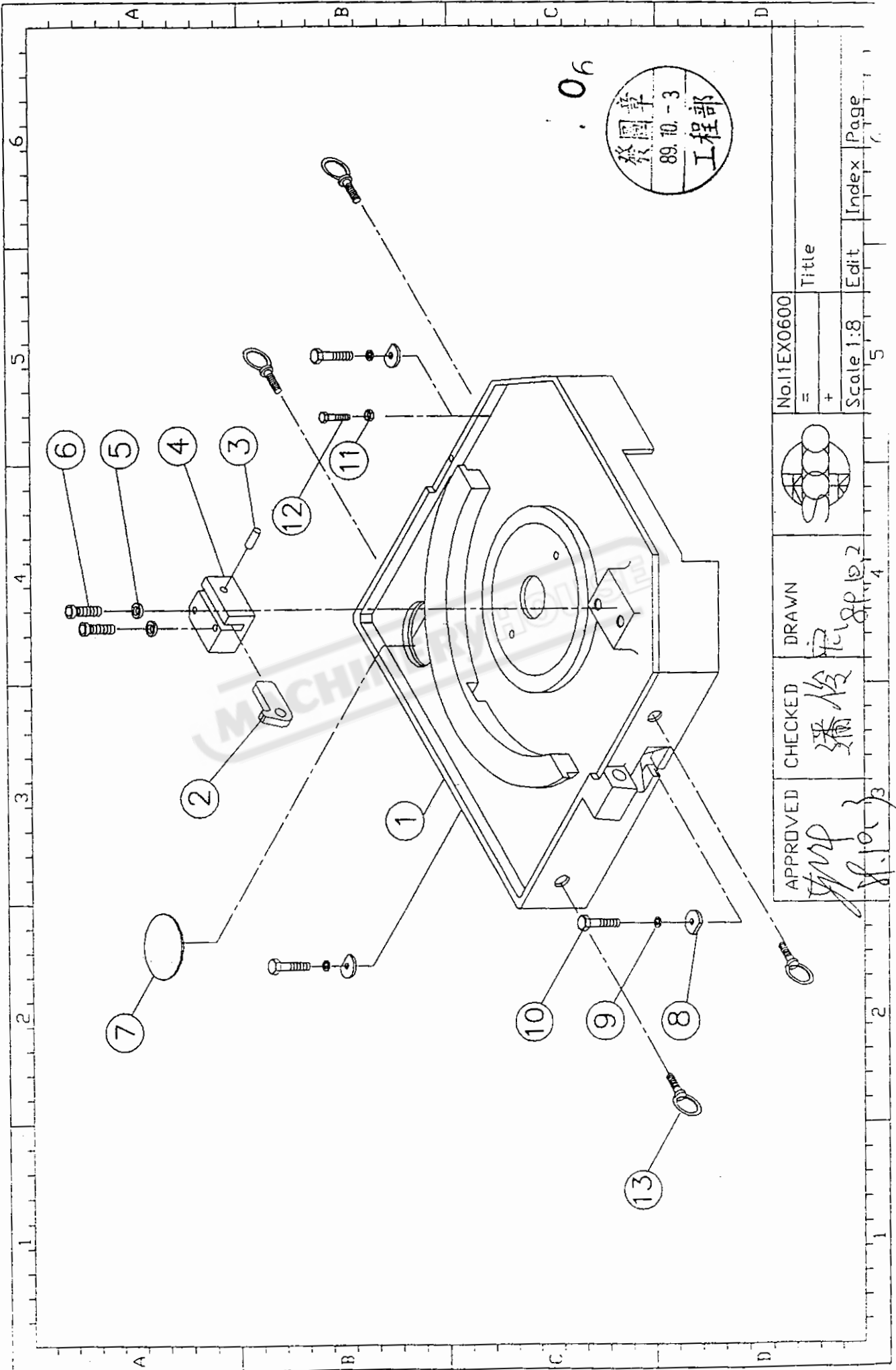


APPROVED	CHECKED	DRAWN	No.11EX0500	Title
<i>[Signature]</i>	<i>[Signature]</i>	<i>[Signature]</i>	=	Vise Assembly
			+	
			Scale 1:1.1	Edit
			5	Index
				Page

NO.	PART NO.	MAT.NO.	DESCRIPTION	QT.	SPECIFICATION	NO.	PART NO.	MAT.NO.	DESCRIPTION	QT.	SPECIFICATION
1	H5D00100		SCREW SHAFT	1	S45C	25					
2	H0D010		FRONT NUT	1	S45C	26					
3	F10F035		SCREW	4	M10XP1.5X35	27					
4	H5D00700		WISE	2	FC20	28					
5	ZQ0057		OIL SEAL	4	CV28405	29					
6	H5D00800		CLAMP KIT	2	SS41	30					
7	H5D00900		RAIL SHAFT	2	S45C	31					
8	H5D01100		CLAMP KIT	2	SS41	32					
9	H0D015		REAR NUT	1	FC25	33					
10	M10F		NUT	4	M10XP1.5	34					
11	C08E035		SCREW	2	M8XP1.25X35	35					
12	H0A017		RULLER FINGER	1	SUS304	36					
13	B03A005		SCREW	2	M3XP0.5X5	37					
14	H0D016		HANDLE SOCKET	1	FC25	38					
15	ZK0200		SPRING PIN	1	D6X40	39					
16	M12G		NUT	3	M12XP1.75	40					
17	H0D017		CLAMP LEVER	3	SS41	41					
18	ZK0033		KNOB	3	1/2"BALL	42					
19						43					
20						44					
21						45					
22						46					
23						47					
24						48					



06

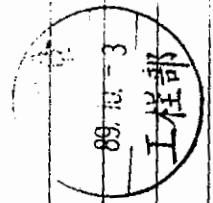


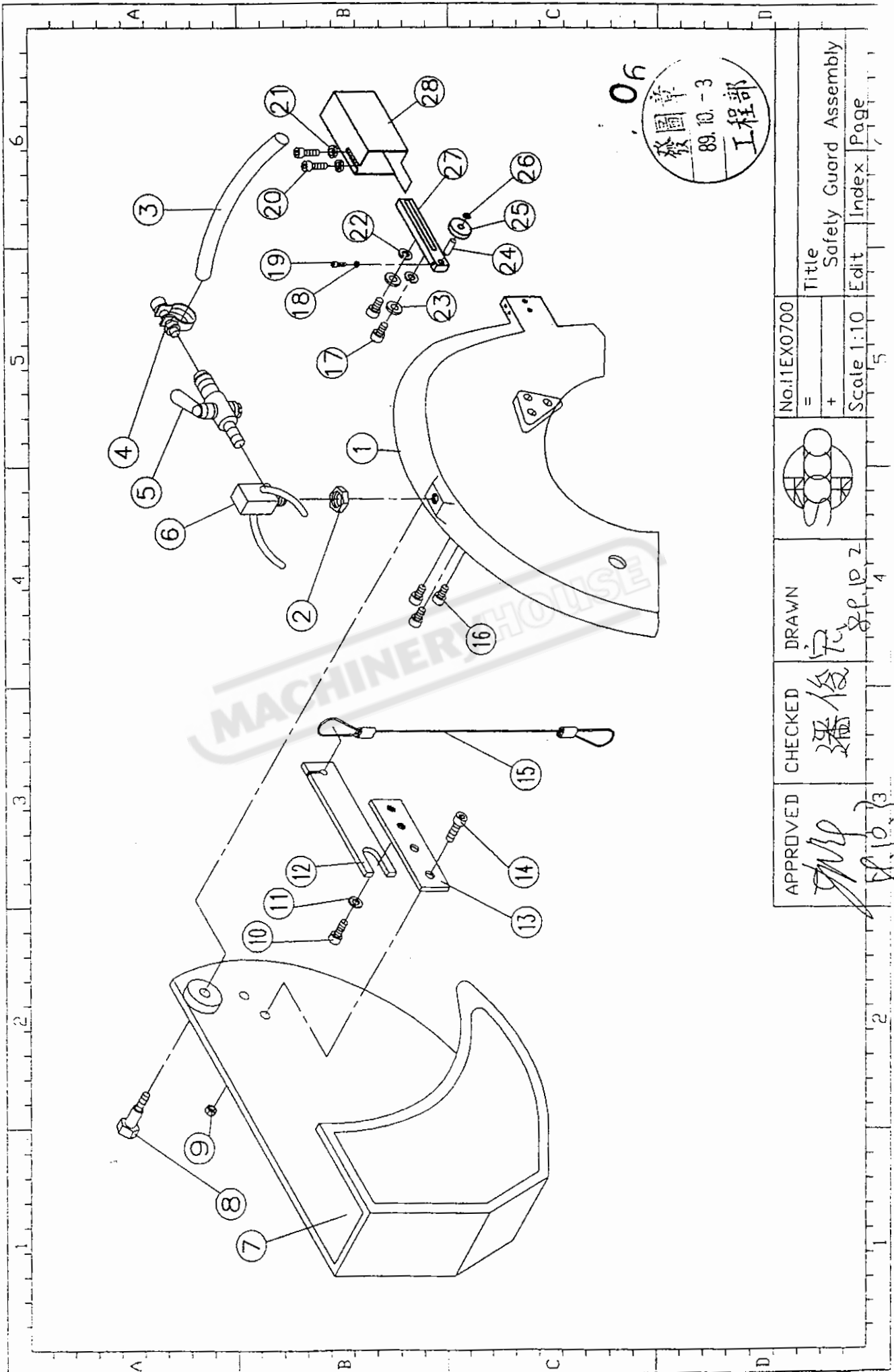
APPROVED	CHECKED	DRAWN	No.11EX0600	Title
<i>JMP</i>	<i>潘怡</i>	<i>潘怡</i>	=	
			+	
			Scale 1:8	Edit
			5	Index
			5	Page

***** MC-315F *****

NO.	PART NO.	MAT.NO.	DESCRIPTION	QT.	SPECIFICATION	NO.	PART NO.	MAT.NO.	DESCRIPTION	QT.	SPECIFICATION
1	H5A00200		TABLE	1	FC20	25					
2	I3A01601		LOCKING PLATE	1	S45C	26					
3	ZK0275		PIN	1	D10XL30	27					
4	I3A01501		ANGLE FIXING ASS'Y BODY	1	FC25	28					
5	Q08		FLAT WASHER	2	M8	29					
6	M08E055		SCREW	2	M8XP1.25X55	30					
7	H5A00600		OIL FILTER	1	MESHES	31					
8	H0A021		WASHER	3	S45C	32					
9	R10		SPRING WASHER	3	M10	33					
10	E10F050		SCREW	3	M10XP1.5X50	34					
11	M08E		HEX NUT	1	M8	35					
12	F08E030		SCREW	1	M8XP1.25X30	36					
13	ZK0023		HOOK	4	12M/M	37					
14						38					
15						39					
16						40					
17						41					
18						42					
19						43					
20						44					
21						45					
22						46					
23						47					
24						48					

06

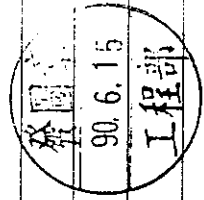


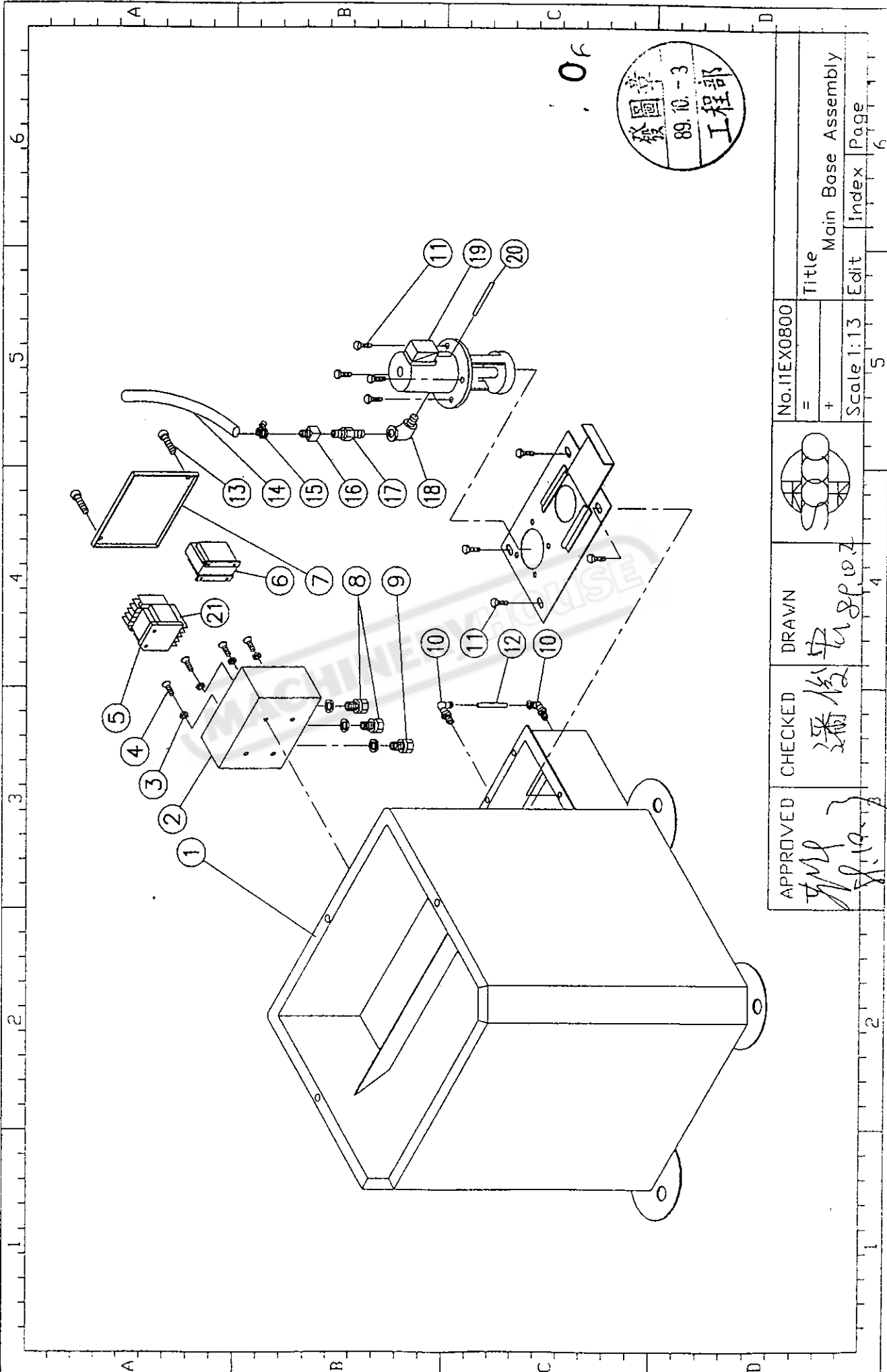


06
發圖章
89.10.-3
工程部

APPROVED	CHECKED	DRAWN	No.11EX0700	Title
<i>[Signature]</i>	潘俊	潘俊	=	Safety Guard Assembly
		89.10.2	+	Edit
		4	Scale 1:10	Index
			5	Page

NO.	PART NO.	MAT.NO.	DESCRIPTION	QT.	SPECIFICATION	NO.	PART NO.	MAT.NO.	DESCRIPTION	QT.	SPECIFICATION
1	131-01904		SAFETY GUARD	1	FC25	25	ZK0289		STEEL WHEEL	1	φ38
2	M08E		NUT	1	M8XP1.25	26	ZP0017		C RING	1	S-10
3	1C0058		WATER HOSE	1	3/8" - 150cm	27	13F02000		ADJUST BAR	1	SS41
4	ZR0016		HORSE CLAMPER	1	15mm	28	13F02101		COVER	1	SS41
5	1B0150		CONTROL VALVE	1	PT1/8" - W3/8"	29					
6	GK0190		ELBOW	1	M8-PT1/8" - 90°	30					
7	13F00101		SHIELD	1	AC4C	31					
8	13F004		SCREW	1	SS41	32					
9	M10F		HEX NUT	2	M10	33					
10	F10F016		SCREW	2	M10XP1.5X16	34					
11	Q10F		SPRING WASHER	2	M10	35					
12	13F016		LEVER	1	SPCC	36					
13	13F017		LEVER	1	SPCC	37					
14	F10F020		SCREW	2	M10XP1.5X20	38					
15	13F018		LEVER	1	STEEL ROPE	39					
16	F06D016		SCREW	3	M6XP1.0X16	40					
17	F08E030		SCREW	2	M8XP1.25X30	41					
18	M05C		HEX NUT	1	M5XP0.8	42					
19	F05C016		SCREW	1	M5XP0.8X16	43					
20	F06D020		SCREW	2	M6XP1.0X20	44					
21	Q06		FLAT WASHER	2	M6	45					
22	R08		SPRING WASHER	2	M8	46					
23	Q08		FLAT WASHER	2	M8	47					
24	ZK0275		PIN	1	φ 10X30L	48					



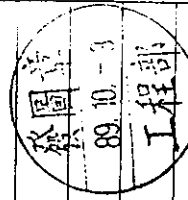


發圖章
89.10.-3
工程部

APPROVED	CHECKED	DRAWN	No.11EX0800	Title
<i>[Signature]</i>	<i>[Signature]</i>	<i>[Signature]</i>	=	Main Base Assembly
			+	
			Scale 1:13	Edit
			5	Index
				Page
				6

NO.	PART NO.	MAT.NO.	DESCRIPTION	QT.	SPECIFICATION	NO.	PART NO.	MAT.NO.	DESCRIPTION	QT.	SPECIFICATION
1	IH5H00200		BASE	1	SPCC	25					
2	IH0H002		ELECTRIC BOX	1	SS41	26					
3	Q05		FLAT WASHER	4	M5	27					
4	IB05C010		SCREW	4	M5XP0.8X10	28					
5	WS0068		MAGNETIC CONTACTOR	1	CN-16, AC24V	29					
6	WA0034		TRANSFORMER	1	220,380,415,440V/19,24V,40V A	30					
7	HOH003		LID	1	SS41	31					
8	ZR0020		CLAMPER	2	7C	32					
9	ZR0019		CLAMPER	1	4C	33					
10	ZG0028		QUICK JOINT	2	SPL6-01	34					
11	LE06D025		SCREW	8	M6XP1.0X25	35					
12	IC0236		PU HOSE	1	4X6	36					
13	F08E025		SCREW	2	M8XP1.25X25	37					
14	IC0058		WATER HOSE	1	3/8"-150mm	38					
15	ZR0017		HOSE CLAMPER	1	15mm	39					
16	ZA0010		JOINT COPPER	1	3/8IN-3/8OUT	40					
17	YB0019		CHECK VALVE	1	PT3/8	41					
18	ZN0031		JOINT	1	PT3/8OUT-PT3/8IN						
19	YF0015		PUMP	1	1/8HP-150L						
20	XA0061		CABLE	1	4CX0.75mm-700L						
21			OVER RELAY	1							
22											
23											
24											

.06



3/1.5HP
 220V RHN-10M(8.5~12.5)
 380V RHN-10M(5.5~8.5)
 415V RHN-10M(5.5~8.5)
 440V RHN-10M(3.5~5)
 RHN-10M(3.5~5)
 RHN-10M(3.5~5)